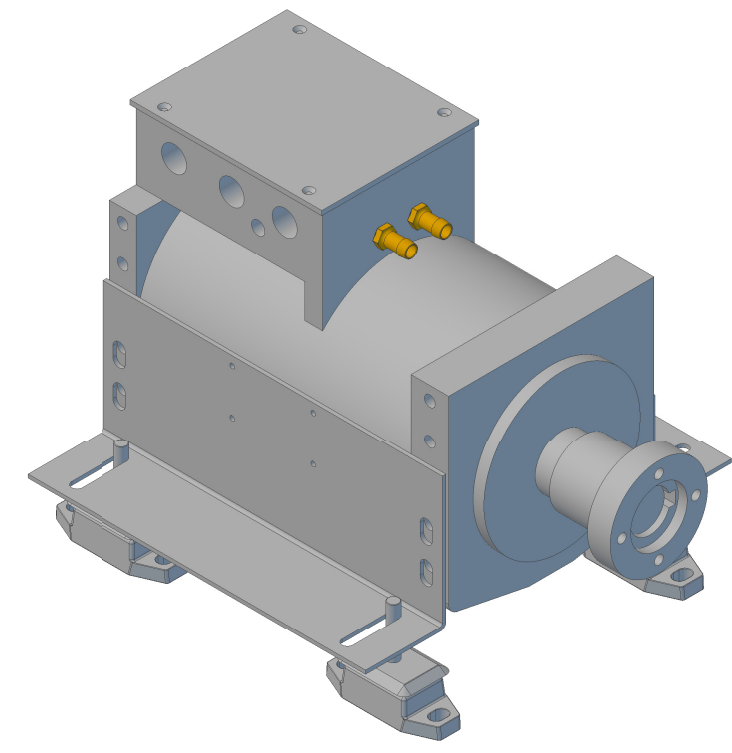
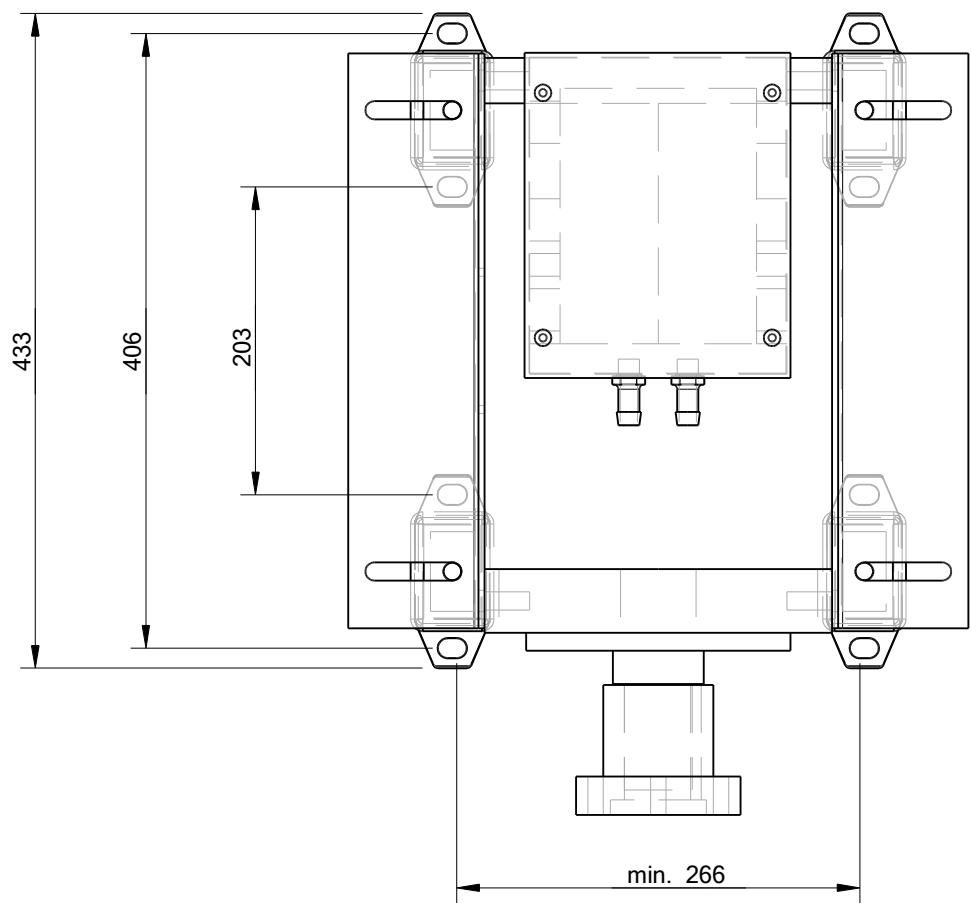
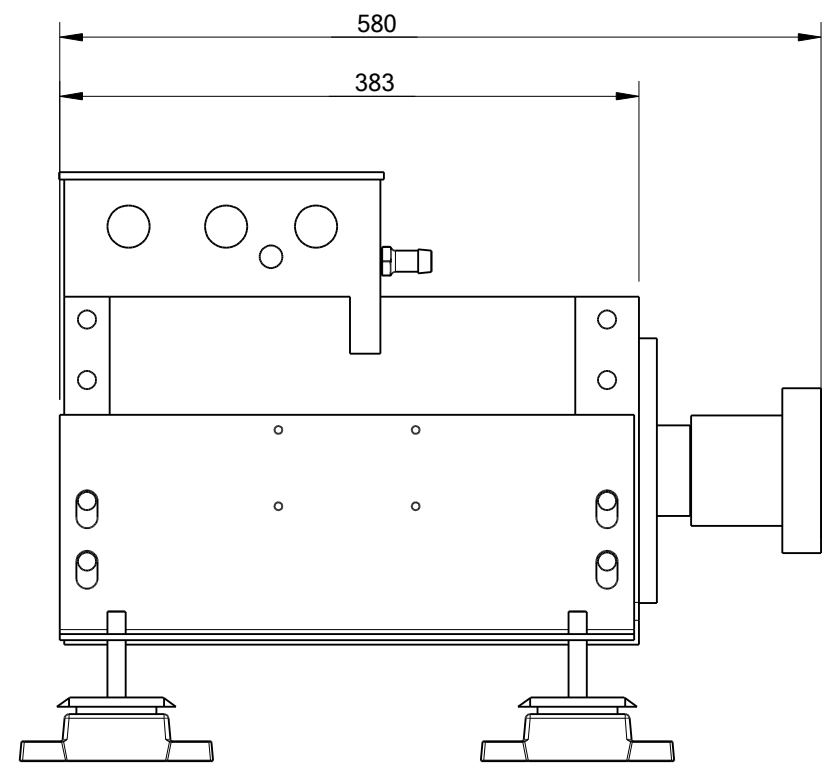
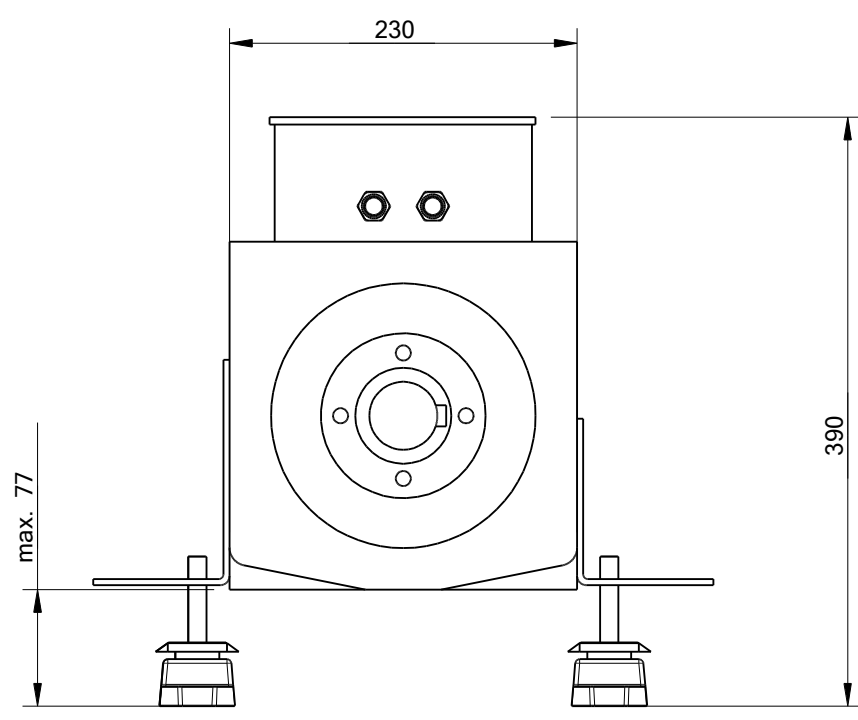



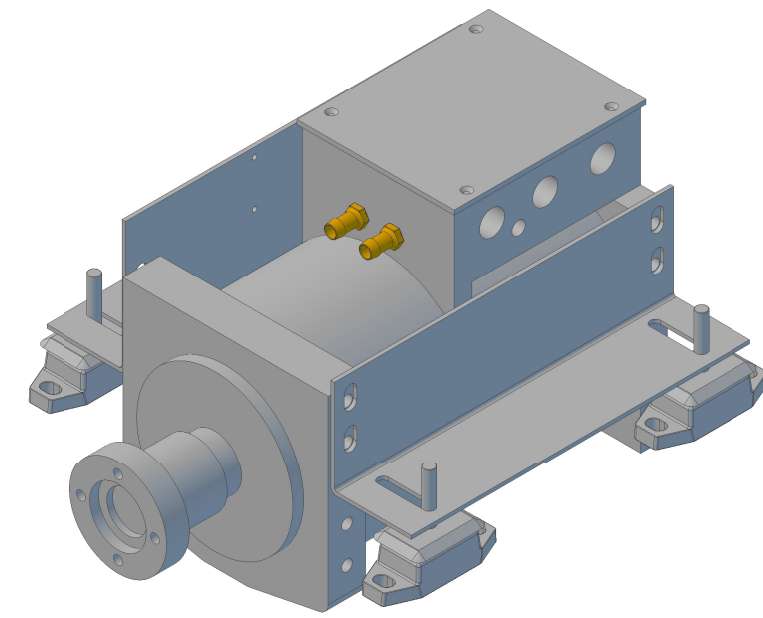
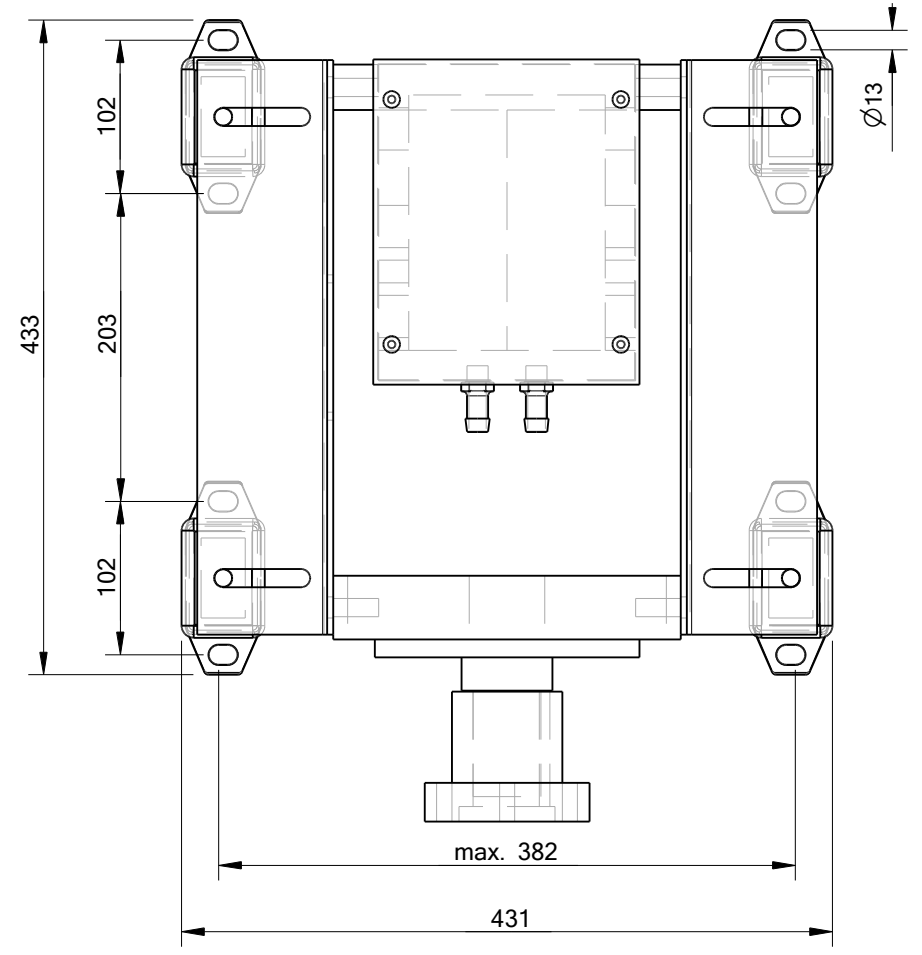
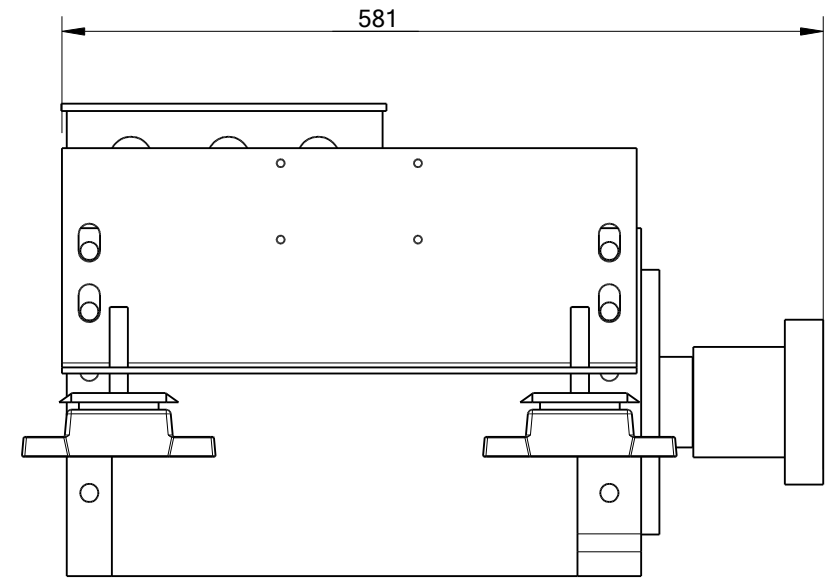
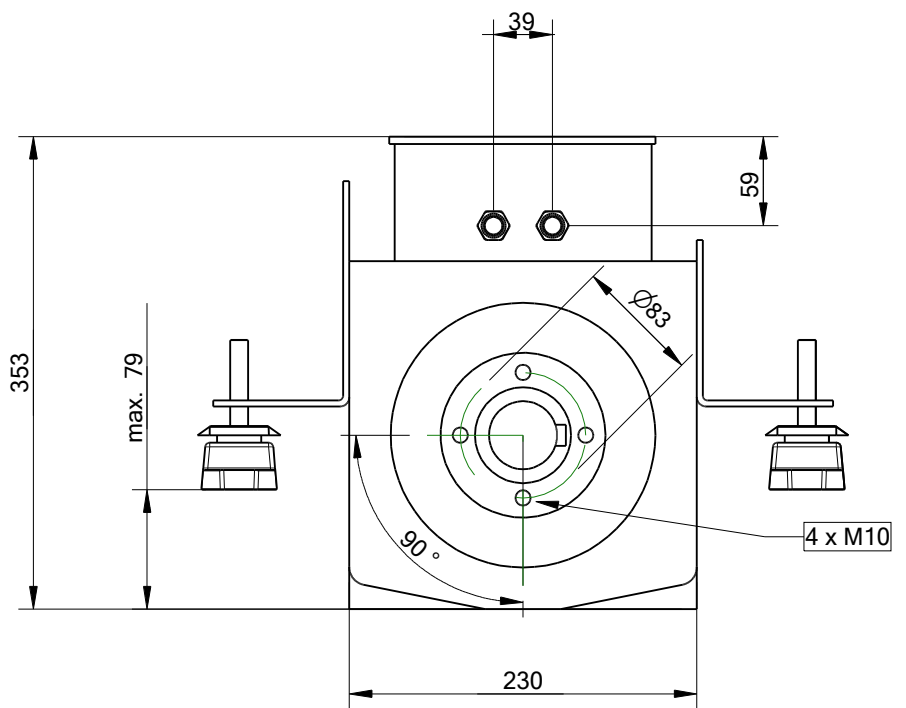
A  
B  
C  
D  
E  
F


A  
B  
C  
D  
E  
F



Itemref	Quantity	Title/Name, designation, material, dimension etc		Article No./Reference	
Drawn by T. Kirbiš	Checked by	Approved by - date	File name	Date 10.04.2019	Scale 1:1
			The highest and the narrowest placement in mm/ Die höchste und engste Einstellung in mm/ Najvišja in najožja postavitev v mm		
			Motor: PMSM50	Edition	Sheet 1 OF 2

A  
B  
C  
D  
E  
F



Itemref	Quantity	Title/Name, designation, material, dimension etc	Article No./Reference		
Drawn by T. Kirbiš	Checked by	Approved by - date	File name	Date 10.04.2019	Scale 1:1
			The lowest and widest placement in mm/ Die niedrigste und breiteste Einstellung in mm/ Najnižja in najširša postavitev v mm.		
			Motor: PMSM50	Edition	Sheet 1 OF 1