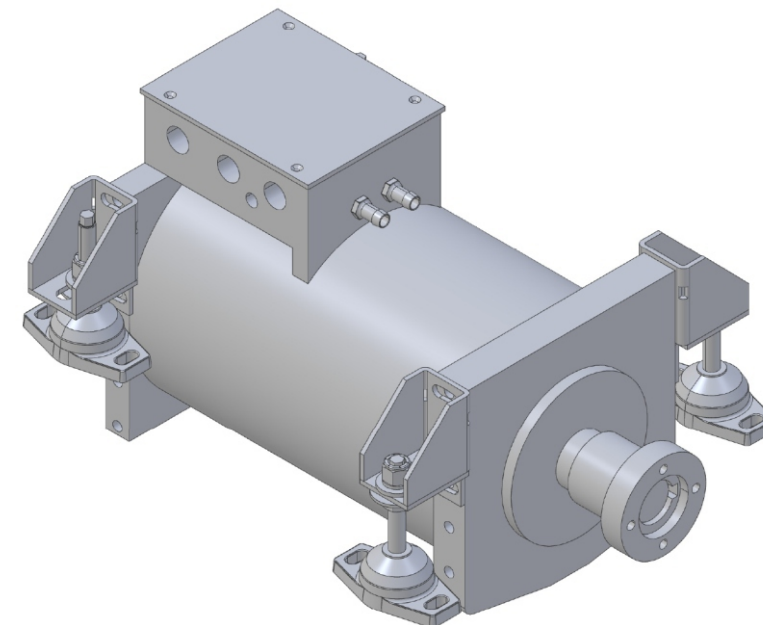
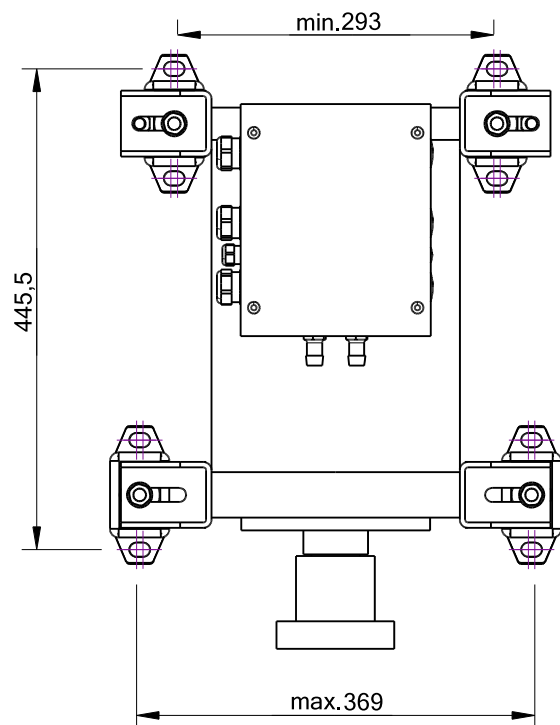
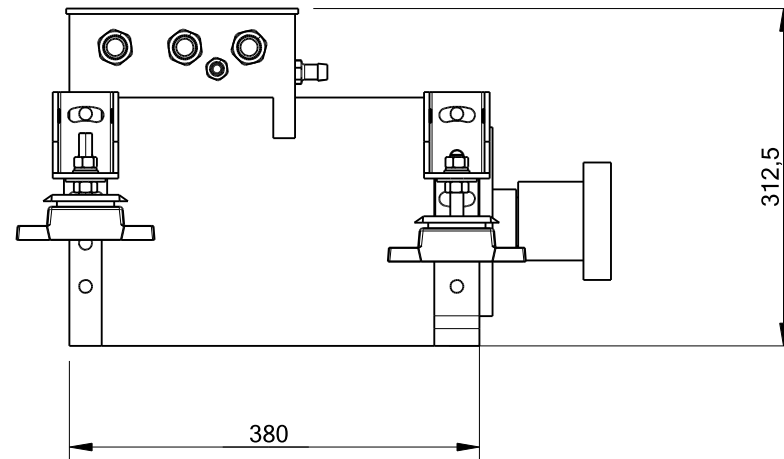
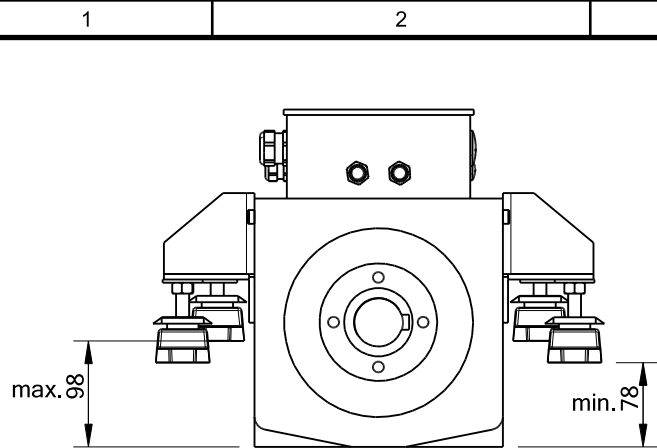



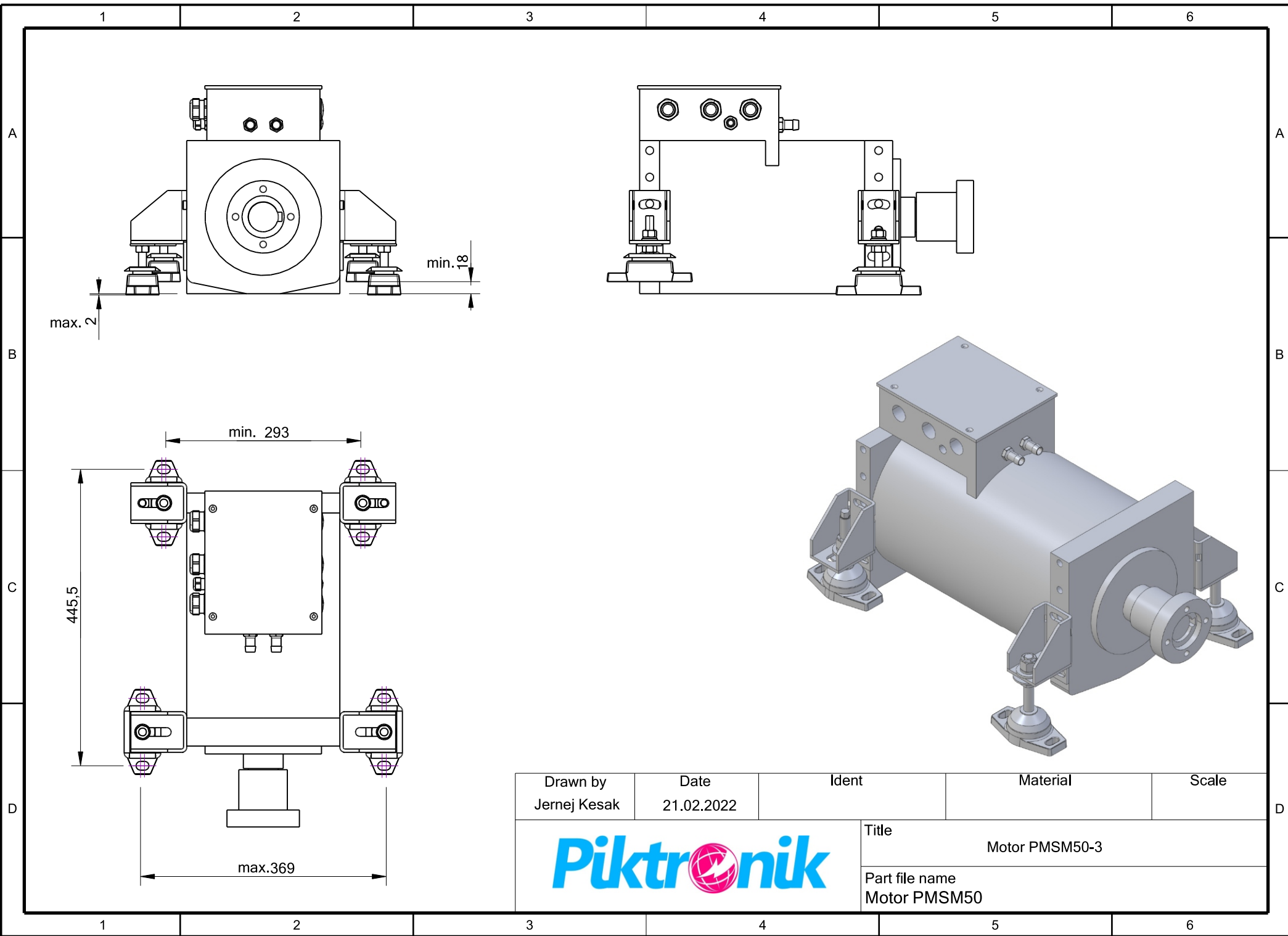
Drawn by	Date	Ident	Material	Scale
Jernej Kesak	21.02.2022			


**Piktronik**

Title	Motor PMSM50-1
Part file name	Motor PMSM50



Drawn by Jernej Kesak	Date 21.02.2022	Ident	Material	Scale
		Title Motor PMSM50-2		
		Part file name Motor PMSM50		



Drawn by Jernej Kesak	Date 21.02.2022	Ident	Material	Scale
		Title Motor PMSM50-3		
		Part file name Motor PMSM50		